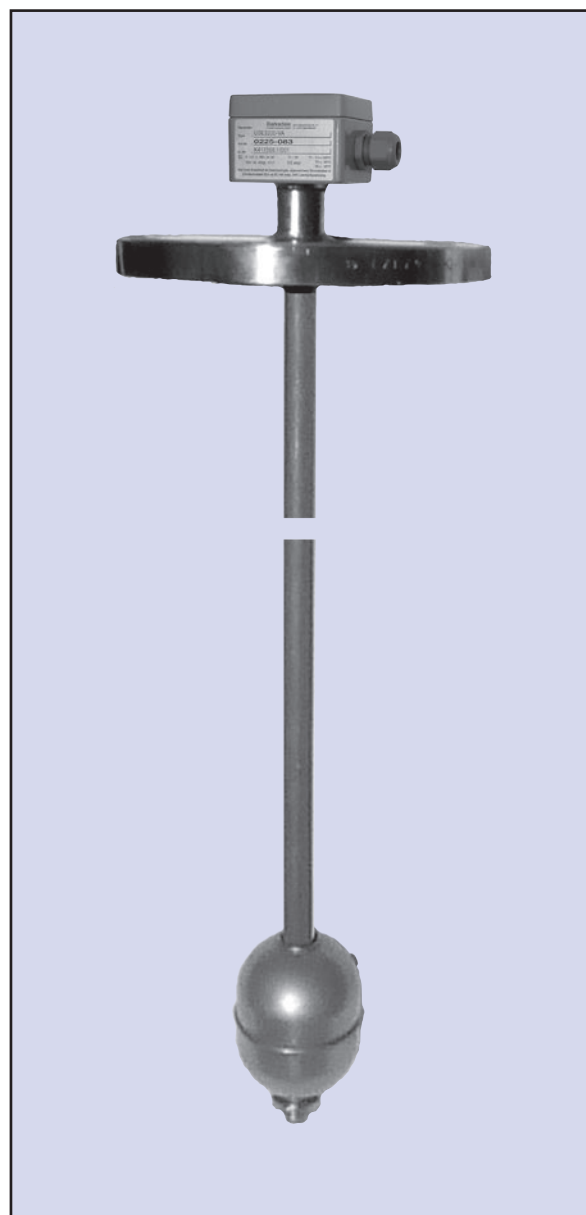


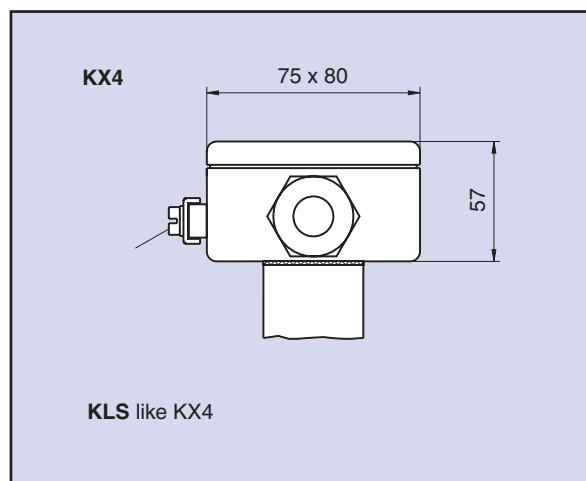
# Type USE 3200



## USE 3200 - Level Sensor for Applications in Category 1



### Electrical Connections



### Technical Data

Max. Length L <sub>0</sub>	: 3000 mm
Materials	: Stainless steel (1.4571, 1.4408)
Mounting Element	: Stainless steel (1.4571, 1.4408), tank screw or flange
Stem	: Stainless steel (1.4571), $\varnothing = 13 \times 1$ mm
Float	: Stainless steel (1.4571) - VX44, $\varnothing = 44$ mm, oval min. media density = 0,9 g/cm <sup>3</sup> max. pressure = 25 bar - VX52, $\varnothing = 52$ mm, oval min. media density = 0,73 g/cm <sup>3</sup> max. pressure = 25 bar - VX80, $\varnothing = 82$ mm, ball min. media density = 0,5 g/cm <sup>3</sup> max. pressure = 16 bar
Electrical Connection	: KX4 - Aluminum terminal box (75 x 80 x 57 mm, 3 terminals) KLS - Aluminum terminal box incl. transducer MUEX (75 x 80 x 57 mm)
Protection Class	: KLX, KLS = IP65
Registration Mark	: $\text{Ex}$ II 1/2 G EEx ia IIC T6
Certificate No.	: TÜV 01 ATEX 1717
Temperature Ranges	: T1...T4 to +100 °C T5 to +65 °C T6 to +50 °C
Temperaturbereiche with Transducer MUEX	: T1... T4 to +85 °C T5... T6 to +60 °C
Total Resistance	: 10 kOhm ... 100 kOhm
Power Supply	: 8 ... 24 V DC with transducer, max. 24 V DC without transducer
Type of Screen	: R12 = screen 12,7 mm (1/2") accuracy $\pm 6,4$ mm appr. 0,2% at 3000 mm measuring length
Wiring	: 3-wire, length up to 5000 mm depending on cable diameter
Options	: DR - slosh tube, interfacial level indication

12 / 04 TLI US 01/1

Barksdale Tank Level Indicating Systems

Specifications are subject to changes without notice.

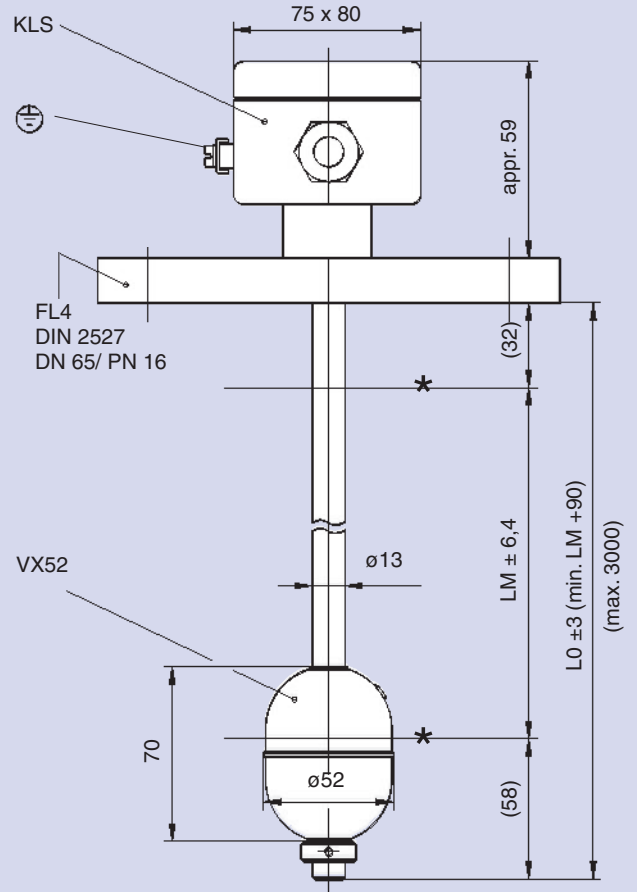
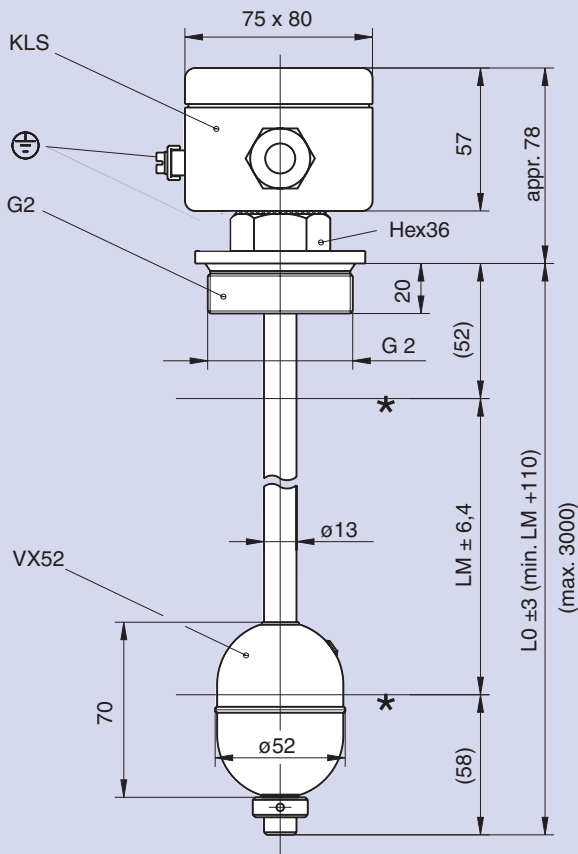
# Type USE 3200



## Dimensions (in mm)

12 / 04 TLI US 01/1

Barksdale Tank Level Indicating Systems



★ Immersion depth at density 1: VX52 = 36 ± 2 mm, VX44 = 35 ± 2 mm, VX80 = 41 ± 2 mm

### Order number example

Type	Series	Material	Mounting Element	Electrical Connection	Float Type	Screen	Meas. Length LM	Options
USE	3200	VA	FL4	KLS	VX52	R12	2000	-

### Your order number

USE	3200							
-----	------	--	--	--	--	--	--	--

Specifications are subject to changes without notice.

Material	Mounting Element	Electrical Connection	Float Type	Screen	Meas. Length LM (in mm)	Options
(VA) Stainless steel 1.4571/ 1.4408	(G2) G 2 Tank screw  (FL4) DIN-flange, DN65/PN16, only VA	(KX4) Aluminum terminal box, 3 terminals  (KLS) Aluminum terminal box incl. transducer MUEX	(VX52) Stainless steel float, ø 52 mm  (VX44) Stainless steel float, ø44 mm  (VX80) Stainless steel float, ø82 mm	(R12) Standard	xxxx  (e. g.: 2 m = 2000)	(DR) Slosh tube  (TM) Interfacial level indication