

UQS 7

Electronic flow sensors

► Flow



- Ultrasonic sensor
- linearity error 2.5 % m.v.
- rotatable display unit

Barksdale
CONTROL PRODUCTS
CRANE Barksdale, Inc./Barksdale GmbH
A Subsidiary of Crane Co.

Electronic flow sensor for flow and volume flow monitoring with ultrasonic sensor, digital display, 2 set points and analog output, linearity error 2.5 % m.v.

Features

7-segment LED display, microprocessor-controlled, self monitoring with error display. all parameters are configured by keypad, tamper proof, keypad lock, rugged construction, vibration- and shock-proof, long term stability, display unit rotatable in steps of 90°

Applications

OEM applications, Automotive, cooling, automobile industry

Technical Data

Sensor element:	ultrasonic sensor				
Media:	Water and similar media, max. pressure 25 bar (higher pressures on request)				
Materials:	Wetted parts: Brass, pressed Electronics housing: Aluminum die-cast seals (media): Klingersil® Keypad: Polyester				
Operating elements:	3 easy-response pushbuttons				
System of protection:	IP65				
Protection class:	III				
Process connection:	G3/4, G1, G1 1/4, G2				
Dimensions:	100 x 140 mm				
Weight [g]:	850	850	1200	3000	4000
Measuring range [l/min]:	10	25	40	100	170
Linearity error:	±2,5 % m.v. at 25 °C				
A/D converter:	Scanning rate: 500 ms				
Digital display:	4-digit 7-segment LED display, red, digit height 12 mm Display rate: 500 ms Error display: LED yellow and alphanumeric display				
Electrical connection:	Plug M12 x 1, 4-/5-pin				
Temperature influence:	±0,2 % m.v./10K				
Compensation range:	-10 °C... +70 °C				
Repeatability:	±0,1 % m.v.				



Index: A

Temperature range:	Medium (enclosure separate from sensor): +4 °C...+130 °C Electronics: -10 °C...+70 °C Storage: -30 °C...+80 °C
Inlet - Outflow Zone:	Integrated in the meas. device
Power supply:	15...32 V DC, reversed polarity protected (SELV, PELV)
Power consumption:	approx. 50 mA (without load)
Analog output:	Current output: 4...20 mA Load: max. RI = (Ub-12 V)/20 mA RI = 600 Ohm at Ub = 24 V DC Load influence: 0.3 % / 100 Ohm Scanning rate: 500 ms Resolution: 10 Bit (1024 steps per measuring span)
Option	Voltage output: 0...10 V DC Rating: max. 10 mA, short-circuit proof Adjustment range: 25 %... 100 % m.v.
Transistor switching outputs:	Switching function: Normally open / normally closed, standard / window mode and diagnosis function adjustable Adjustment range: 0 %... 125 % m.v. Switching frequency: max. 100 Hz max. 500 mA, short-circuit proof Delay: 0.0 s ... 9.9 s adjustable Display: LED green
Pulse output:	on request
Accessories:	Plug connector

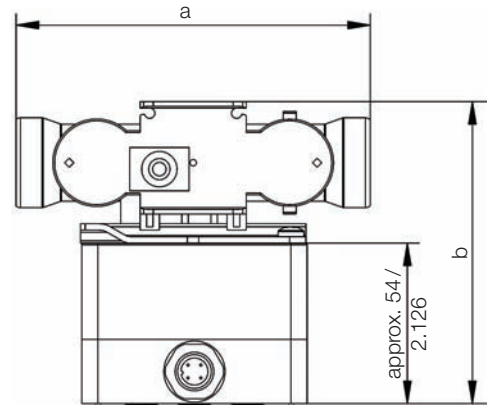
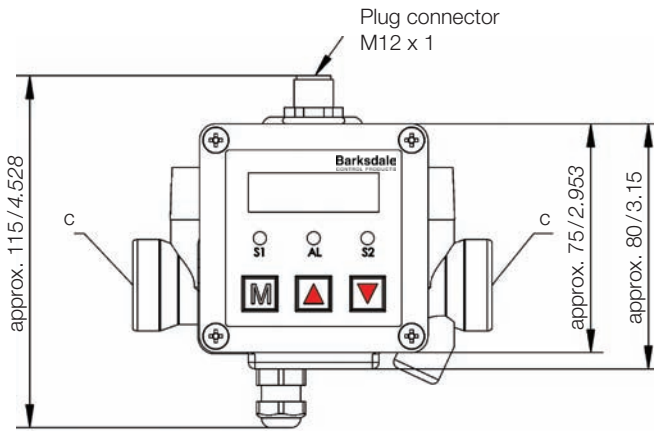
Specifications are subject to changes without notice.

Electronic Flow Sensors

Type UQS 7

Dimensions (in mm / inch)

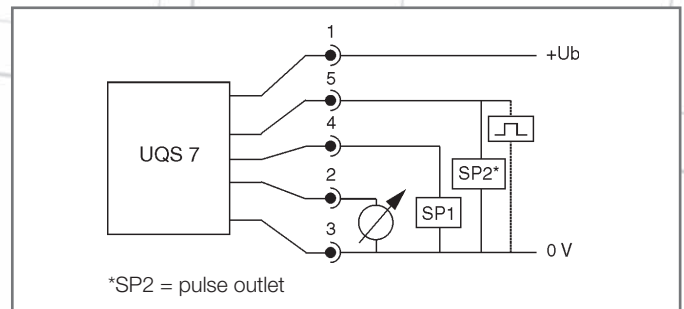
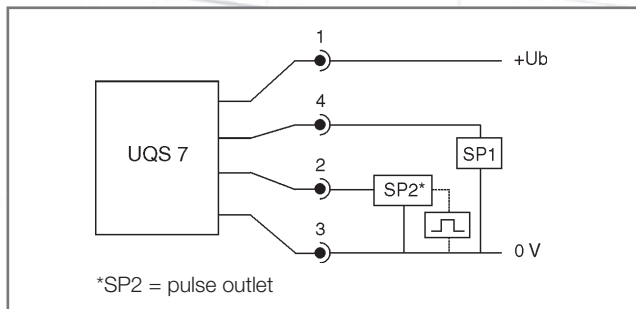
Index: A



Type	Measuring range [l/min]	a [mm/inch]	b [mm/inch]	c
UQS 7 - 10	0...10	110/4.331	100/3.937	G3/4
UQS 7 - 25	0...25	110/4.331	100/3.937	G3/4
UQS 7 - 40	0...40	190/7.48	100/3.937	G1

Type	Measuring range [l/min]	a [mm/inch]	b [mm/inch]	c
UQS 7 - 100	0...100	260/10.236	130/5.118	G1 1/4
UQS 7 - 170	0...170	300/11.811	135/5.315	G2

Connection diagram

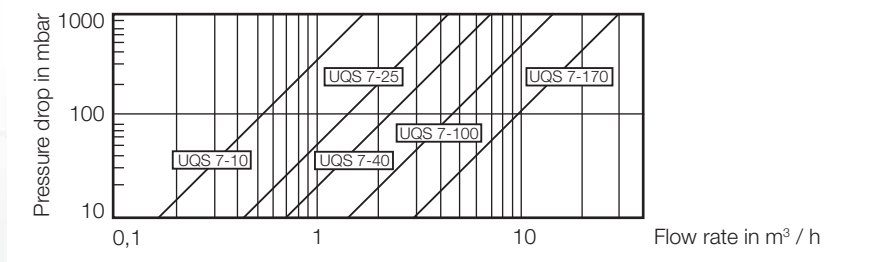


Order Numbers

Type	UQS 7 - 10	UQS 7 - 25	UQS 7 - 40	UQS 7 - 100	UQS 7 - 170
Measuring range (Qn)*	0,04...10 l / min	0,1...25 l / min	0,16...40 l / min	0,4...100 l / min	0,68...170 l / min
Process connection	G3/4	G3/4	G1	G1 1/4	G2
2 switching outputs	0728-001	0728-003	0728-005	0728-014	0728-016
2 switching outputs, 1 analog output 4...20 mA	0728-002	0728-004	0728-006	0728-015	0728-017

* Qmax = Qn x 2; in the range of Qmax the accuracy class is 3%.

Pressure Drop



Accessories

Order Number	Description
901-0677	Damping screw M4 x 0.2 for UDS 3, UDS 7, Switch 2000, material: brass
0099-001	Mounting traverse (1 set = 2 pcs)

Experts

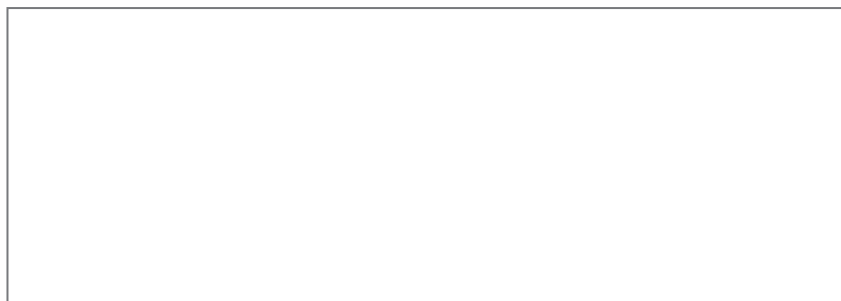
Specialists for monitoring and control of:

- ▶ Pressure
- ▶ Temperature
- ▶ Level
- ▶ Flow

Almost sixty years of experience in the area of mechanical and electronic control of liquid media and responding to customers needs have resulted in an extensive range of products to meet a wide range of applications. Barksdale's priority is clear. It is our commitment to quality instrumentation and exceptional customer service that has remained the cornerstone of our success. Based on our innovative and market-focused technologies in the areas of pressure, level, flow and temperature measuring processes we provide solutions that fit.



Global Presence



Barksdale Inc.

3211 Fruitland Avenue
Los Angeles, CA-90058-0843
U.S.A.
Phone: (323) 5 89 61-81
Fax: (323) 5 89 34-63
www.barksdale.com

Barksdale GmbH

Dorn-Assenheimer Strasse 27
D-61203 Reichelsheim
Phone: (+49)-6035-949(0)
Fax: (+49)-6035-949-111/113
E-mail: info@barksdale.de
www.barksdale.de

Barksdale
CONTROL PRODUCTS
CRANE Barksdale, Inc./Barksdale GmbH
A Subsidiary of Crane Co.