

Electronic pressure transducer for applications in explosion-proof areas, with internal or flush stainless steel diaphragm, linearity error 0.5% and 1% f. s.

Features

Intrinsically safe EEx ib IIC T5/T6
 High long-term stability
 High shock and vibration stability
 Flush diaphragm version available

Measuring ranges

0...1 bar to 0...600 bar gauge

Applications

Process and chemical technology
 Machine and apparatus engineering



Index: B

Technical Data

Sensor element:	Polysilicone measuring cell				
Materials:					
Wetted parts:	Stainless steel, mat. no. 1.4571				
Electronics housing:	Stainless steel, mat. no. 1.4301				
Seals:	FKM, EPDM, sealing cone				
System of protection:	IP65				
Protection class:	---				
Process connection:	G1/4 M, G1/2 M manometer connection or flush diaphragm with sealing cone 1/4" NPT M, 1/2" NPT M				
Dimensions:	ø27 x approx. 115 mm (without plug connector)				
Weight:	approx. 250 g				
Measuring ranges [bar]:	1	2	5	10	50
Proof pressure [bar]:	6	6	14	20	120
Measuring ranges [bar]:	100	200	400	600	
Proof pressure [bar]:	200	500	640	900	
Linearity error:	≤ ±0.5 % v. f. s.				

Electrical connection:	PG7 incl. 1.5 m cable; plug 3-pin, DIN EN 175 301-803-A (prev. DIN 43650)
Temperature influence:	≤ ±0.3 % f. s. / 10K
Compensation range:	0 °C... +50 °C
Repeatability:	≤ ±0.1 % v. f. s.
Temperature range:	
Medium:	-20 °C... +50 °C at 0.9 W (T6 EExib)
Electronics:	-20 °C... +60 °C at 0.6 W (T6 EExib)
Storage:	-40 °C... +100 °C
Output signal:	4...20 mA (2-wire)
Power supply:	12... 26 V DC unregulated max. 10 % residual ripple reversed polarity protected acc. to ATEX
Power consumption:	approx. 25 mA at current output
Load:	≤ (U _b -11.2 V) / 20 mA
Delay:	≤ 5 ms

Specifications are subject to changes without notice.

Pressure

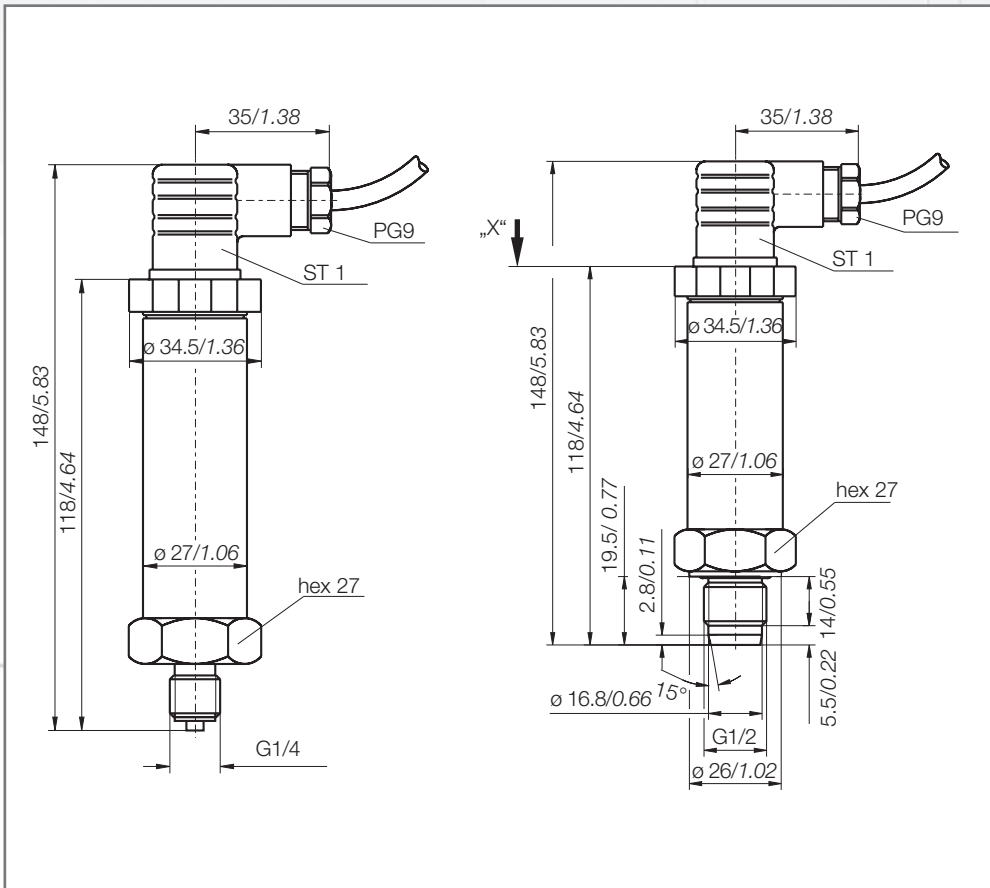
Electronic Pressure Transducers



Type UPA 2 - Ex

Dimensions (in mm / inch)

Index: B



Electrical Connection

Connection	Current output 4... 20 mA (2-wire)	
	Plug	Cable
+ Supply	1	brown
- Supply	2	white
+ Signal	---	---
- Signal	---	---

Order Numbers

Further measuring ranges on request

Standard pressure transducer DIN 43650, 4...20 mA, G1/4 AG		
Measuring ranges [bar] rel. pressure	Overpressure [bar]	Order No.
10	20	0431-124
50	120	0431-173
100	200	0431-460
200	500	0431-313
400	640	0431-122
600	900	0431-198

Specifications are subject to changes without notice.