

Electronic pressure transducers for general measuring tasks, with internal or flush stainless steel diaphragm, linearity error 0.5% and 0.25% f. s.

Features

Variety of measuring ranges
 Absolute and gauge pressure ranges
 Rugged stainless steel construction
 GL approval (German Lloyd)

Measuring ranges

-1...0 bar to 0...800 bar gauge
 0...1 bar 0...10 bar absolute pressure

Applications

OEM applications
 Hydraulic and pneumatic systems,
 test beds,
 shipbuilding and offshore applications

Technical Data

Sensor element:	Piezoresistive silicon measuring cell				
Materials: Wetted parts: Electronics housing: Seals:	Stainless steel, mat. no. 1.4301 Stainless steel, mat. no. 1.4301 FKM, EPDM				
System of protection:	IP67 with PG/IP65 with plug				
Protection class:	III				
Process connection:	G1/4 M, G1/2 M manometer connection or quasi flush diaphragm				
Dimensions:	Ø32 x approx. 120 mm (with plug connector)				
Weight:	250 g				
Measuring ranges [bar]: Overpressure [bar]:	-1...0	-1...+1	0.2	0.4	
	2.5	2.5	2.5*	2.5	
Measuring ranges [bar]: Overpressure [bar]:	0.6	1	2	5	10 50
	2.5	3	4	7	15 75
Measuring ranges [bar]: Overpressure [bar]:	100	200	400	600	800
	150	300	500	700	1100
Linearity error:	≤ ±0.5% f. s. (Option: ≤ ±0.2% f. s.)				



Index: A

Electrical connection:	Plug 4-pin, DIN EN 175 301-803-A (prev. DIN 43650)
Temperature influence:	≤ ±0.2% f. s. / 10K
Compensation range:	-10 °C...+70 °C
Repeatability:	≤ ±0.1% v. f. s.
Temperature range: Medium: Electronics: Storage:	-25 °C...+100 °C -25 °C...+80 °C -40 °C...+100 °C
Output signals:	4...20 mA (2 wire) 0...10 V DC (3 wire)
Power supply:	8...30 V DC, 13...30 V DC at 0...10 V, reversed polarity protection (SELV, PELV)
Power consumption:	max. 25 mA at current output max. 5 mA at voltage output
Load:	≤ (U _b -10 V) / 20 mA
Delay:	≤ 1 ms
Accessories:	Damping screw to limit pressure peaks
Approval:	GL optional

Specifications are subject to changes without notice.

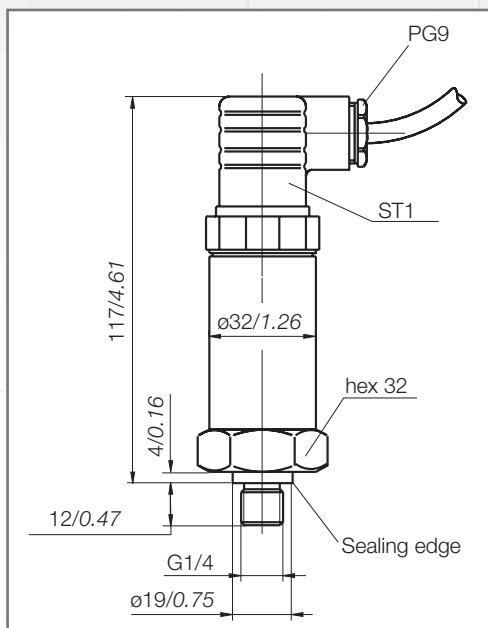
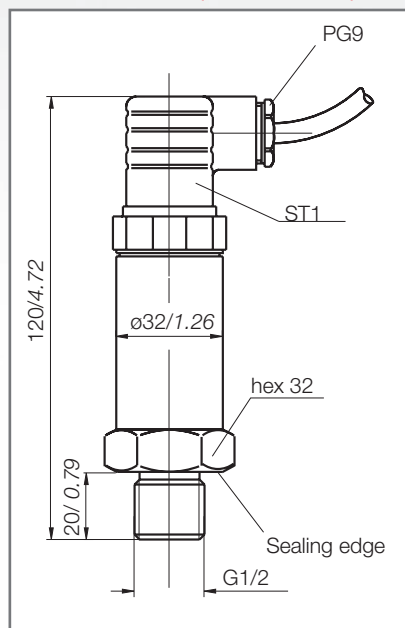
Pressure

Electronic Pressure Transducers

Type UPA 2 - Standard

Dimensions (in mm / inch)

Index: A



Electrical Connection

Connection	Current output 4... 20 mA (2-wire)			Voltage output 0... 10 V (3-wire)		
	Plug	Cable	GL cable	Plug	Cable	GL cable
+ Supply	1	brown	blue 1	1	brown	blue 1
- Supply	2	white	blue 2	2	blue	blue 2
+ Signal	---			3	white	white 1
- Signal	---			---		

Order Numbers

Standard pressure reducer DIN 43650, 4... 20 mA			
Measuring ranges [bar] relative pressure	Overpressure [bar]	Order No.	
		G1/2", flush	G1/4" M
10	15	0431-032	0431-017
50	75	0431-043	0431-441
100	150	0431-036	0431-315
200	300	0431-042	0431-010
400	600	0431-038	0431-314
600	780	0431-464	0431-238

Further measuring ranges on request

Accessories

Order Number	Description
926-0420	Plug connector, 3-pin + PE, DIN EN 175 301-803-A (prev. DIN 43650)
907-0185	Plug connector, 5 pin M12 x 1, elbow
907-0177	Plug connector, 5 pin M12 x 1, straight
908-0361	Plug connector, 5 pin M12 x 1 incl. 2 m cable
998-9991	Manufacturer test certificate O DIN 55350 part 18 4.2.1
998-9992	Manufacturer test certificate M DIN 55350 part 18 4.2.2