

Electr. Pressure Switch with 4 Relay Outputs

Type UDS 3 - V3

Electronic pressure switch for pressure control with internal stainless steel diaphragm, digital display, 4 switching outputs and 1 analog output, linearity error f. s.

Features

8-digit 14-segment LCD display with Bargraph and trend indication, microprocessor controlled, self monitoring, all parameters are configured by keypad, display unit selectable, adjustable keypad lock, high accuracy, quick scanning rate (1000/s)

Measuring ranges

0...1 bar 0...10 bar, absolute pressure
-1...0 bar to 0...600 bar gauge

Applications

OEM applications
hydraulic and pneumatic systems,
heavy industry and plant engineering,
automobile industry

Technical Data

Sensor element:	Piezoresistive silicon measuring cell					
Materials:	Wetted parts: Stainless steel, material no. 1.4301 Electronics housing: Cast aluminum G AL SI 12 Seals: FKM, optionally: EPDM Keypad: Polyester					
Operating elements:	Keypad with easy-response pushbuttons					
System of protection:	IP65					
Protection class:	I					
Process connection:	G1/4 female thread, bottom entry Option: 1/4" NPT female thread					
Dimensions:	100 x 135 x 80 mm (W x H x D)					
Weight:	approx. 1080 g					
Measuring ranges [bar]:	10	50	100	200	400	600
Proof pressure [bar]:	15	75	150	300	600	800
Linearity error:	±0.5 % f. s. at 25 °C					
A/D converter:	Resolution: 12 bit (4096 steps per measuring span) Scanning rate: 1000/s					
On-status display:	8-digit 14-segment LCD display, digit height 12 mm, green Bargraph: 20-segment for current value Trend arrows: last changes Display range: -9999... 9999 Display rate: 4 /s Display unit: bar/psi/psi x 10/hPa/mbar switchable					
Electrical connection:	14-pin screw terminal for 1.5 mm ² AWG14, plug-in type					



Index: B

Cable gland:	1 x PG13.5 side entry
Temperature influence:	±0.2 % v. f. s./10K
Compensation range:	-10 °C...+70 °C
Repeatability:	±0.1 % v. f. s.
Temperature range:	Medium: -25 °C...+100 °C Electronics: -10 °C...+70 °C Storage: -30 °C...+80 °C
Power supply:	18...32 V DC, reversed polarity protected (SELV, PELV)
Power consumption:	approx. 350 mA at Ub = 24 V DC (without load)
Analog output:	Current output: 4...20 mA Load: max. RI = (Ub-12 V)/20 mA RI = 600 Ohm at Ub = 24 V DC Load influence: 0.3 %/100 Ohm Scanning rate: 1 ms Voltage output: 0...10 V DC Rating: max. 10 mA, short-circuit proof Adjustment range: 25 %... 100 % f. s.
4x relay output(s) - change-over contacts (SPDT):	Switching voltage: max. 120 V DC/250 V AC Switching power: max. 12 W/1250 VA Cycles: 1 mio. at 24 V DC/2 A Switching rate: max. 20/s Delay: 0.0 s ... 9.9 s adjustable Operation time: 1 ms Status display: S1...S4 on LCD display
Accessories:	Damping screw 0.2 mm; mounting traverse; vibration damper
Approval:	cULus: file no. E42816

Specifications are subject to changes without notice.

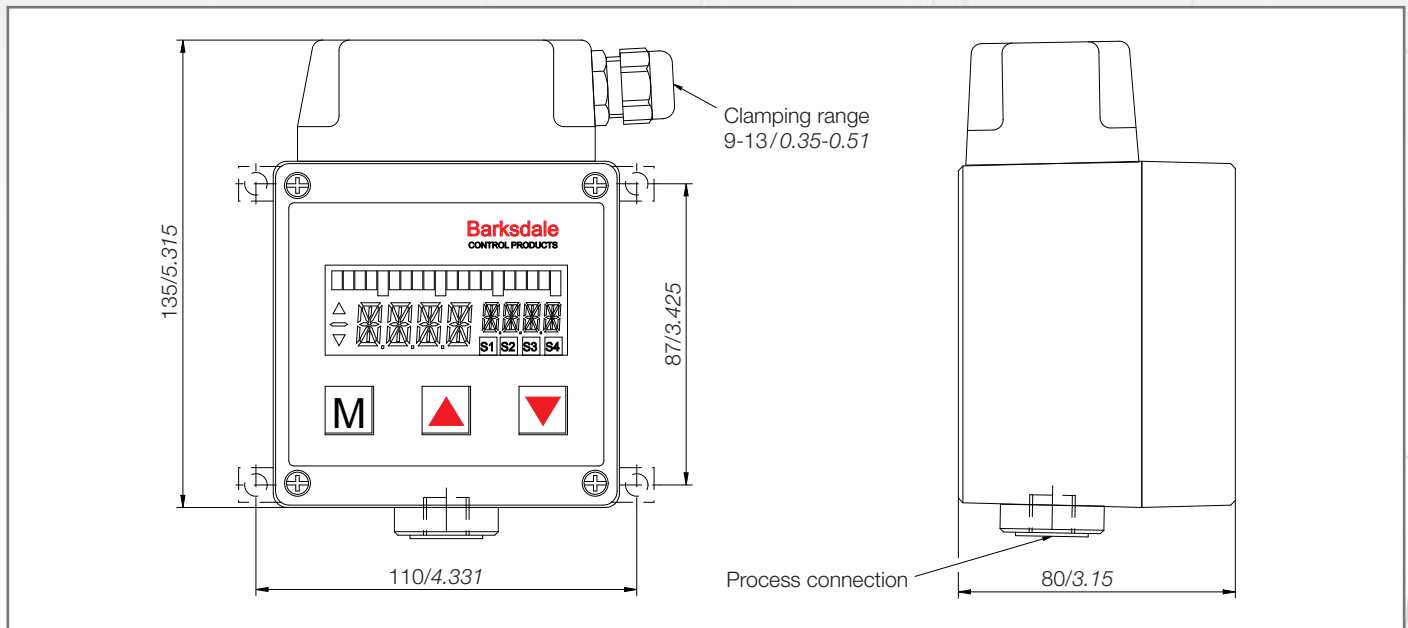
Pressure

Electr. Pressure Switch with 4 Relay Outputs

Type UDS 3 - V3

Dimensions (in mm / inch)

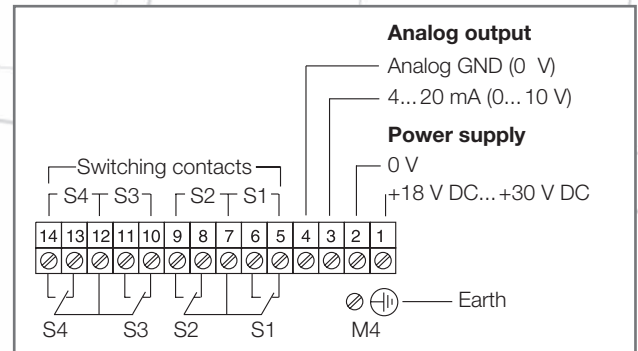
Index: B



Order Numbers

Pressure switch with digital display and 4 relays, G1/4 female		
Measuring ranges [bar]	Analog Output	Order No.
10	---	0423-129
10	4...20 mA	0423-117
10	0...10 V	0423-118
50	---	0423-130
50	4...20 mA	0423-119
50	0...10 V	0423-120
100	---	0423-131
100	4...20 mA	0423-121
100	0...10 V	0423-122
200	---	0423-132
200	4...20 mA	0423-123
200	0...10 V	0423-124
400	---	0423-133
400	4...20 mA	0423-125
400	0...10 V	0423-126
600	---	0423-134
600	4...20 mA	0423-127
600	0...10 V	0423-128

Electronic connection scheme



Specifications are subject to changes without notice.

Accessories

Order Number	Description
901-0677	Damping screw M4 x 0.2 for UDS 3, UDS 7, Switch 2000, material: brass
903-0681	Mounting traverse (1 set = 2 pcs)
915-0107	Vibration damper (1 pack = 4 pcs)