

Trip amplifier for all physical quantities with digital display, 2 switching outputs and 1 analog output, Linearity error 0.2% f. s.

Features

4-digit 7-segment LED display, microprocessor-controlled, self monitoring, all parameters are configured by Keypad, display unit selectable, adjustable keypad lock, high accuracy, quick scanning rate (1 ms)

Display range

freely scalable: -9,999...+9,999

Applications

OEM applications,
Hydraulics and pneumatics,
test bed and apparatus engineering,
heavy industry

Technical Data

Measuring principle:	Amplifier with 10 bit A/D converter
Materials:	
Electronics housing:	Aluminum die-cast
Housing seal:	NBR
Keypad:	Polyester
Operating elements:	Keypad with easy-response pushbuttons
Protection system/class	IP65/ III
Dimensions:	75x75x55 mm (WxHD)
Weight:	approx. 330 g
Analog measuring inputs:	
Current input:	4...20 mA
Voltage input:	0...10 V DC
Linearity error:	<±0.2% v. f. s. at 25 °C
A/D converter:	
Resolution:	10 bit (1024 steps per measuring span)
Scanning rate:	200/s
On-status display:	
Display range:	4-digit 7-segment LED display, red, digit height 10 mm -9,999... +9,999
Display rate:	2/s
Display unit:	all technical units
Sensor connection:	Plug M12x1, 4-pin
Electrical connection:	Plug M12x1, 4-pin or 5-pin



Index: A

Temperature influence:	<0.05% v. f. s./10K
Compensation range:	-10 °C...+70 °C
Repeatability:	≤±0.05% v. f. s.
Temperature range:	
Electronics:	-10 °C...+70 °C
Storage:	-30 °C...+80 °C
Power supply:	15...32 V DC, reversed polarity protected (SELV, PELV)
Power consumption:	approx. 50 mA (without load)
Analog output:	
Current output:	4...20 mA
Load:	max. RI = (Ub-12 V)/20 mA RI = 600 Ohm at Ub = 24 V DC
Load influence:	0.3%/100 Ohm
Scanning rate:	5 ms
Voltage output:	0...10 V DC
Rating:	max. 10 mA
Adjustment range:	25%...100% f. s.
Transistor switching outputs PNP:	
Switching function:	Normally open / normally closed, standard / window mode and diagnosis function adjustable
Adjustment range:	0%...125% f. s.
Switching frequency:	max. 100 Hz
Delay	max. 500 mA, short-circuit proof
Status display(s):	0.0 s ... 9.9 s adjustable LED(s) green
Accessories:	Plug connector

Specifications are subject to changes without notice.

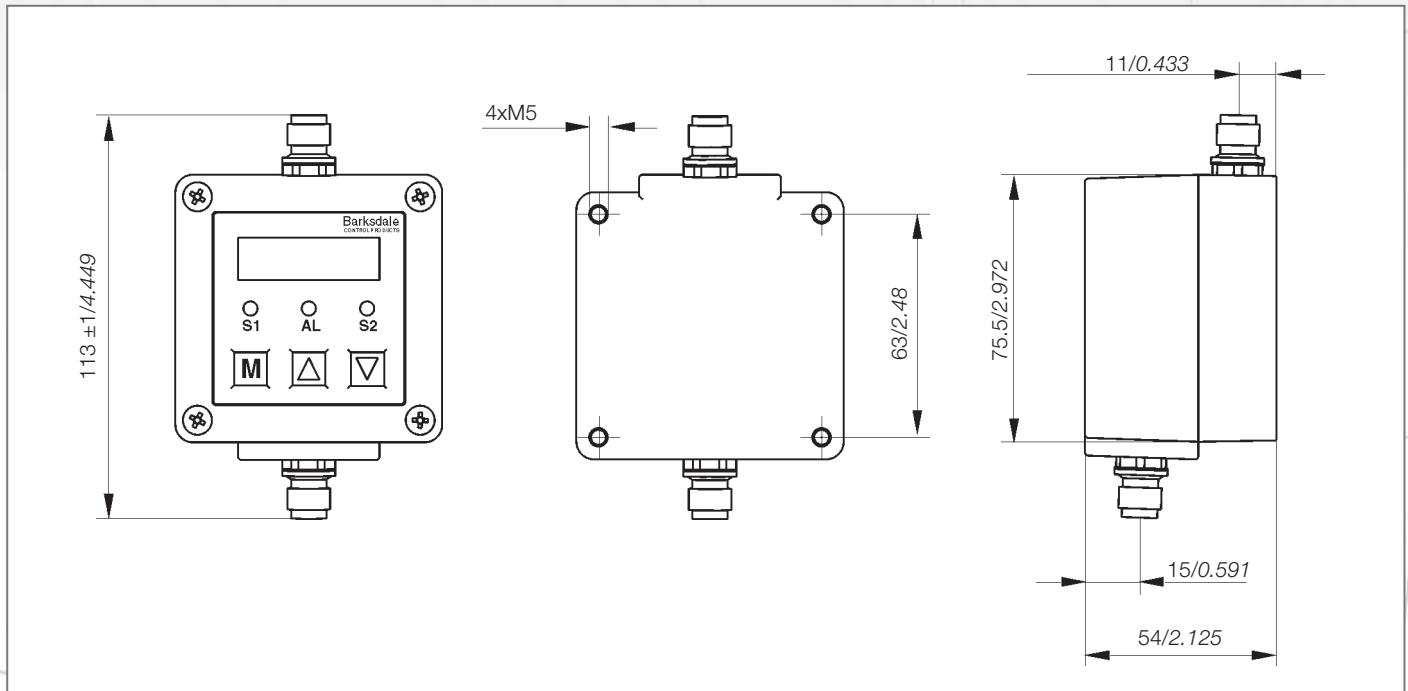
Pressure

Electronic Displays

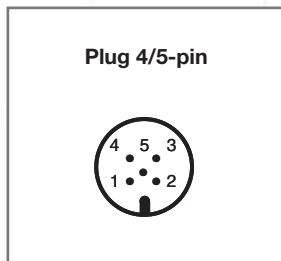
Type UAS 7

Dimensions (in mm / inch)

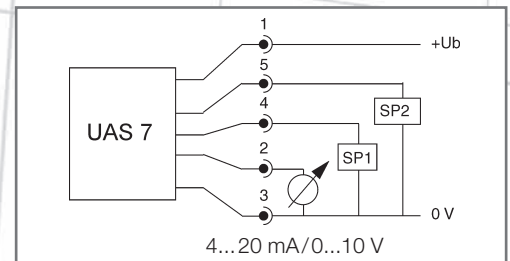
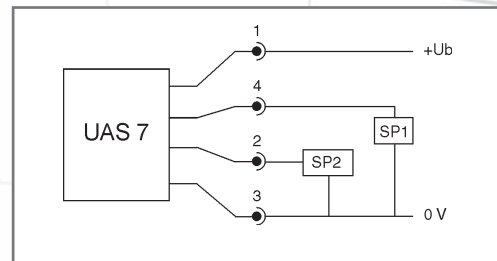
Index: A



Plug



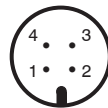
Connection diagram



Sensor Connection

M12 x 1

- 1 = $+U_b$
- 2 = Signal
- 3 = $-U_b$ (*)



(*) Pin 2 is not needed with 2-wire connection.

Analog measuring input

Optional:
Current input: 4...20 mA
Voltage input: 0...10 V DC

Order Numbers

Electronic trip amplifier with 2 PNP outputs		
Analog Input	Analog Output	Order Number
4...20 mA	---	0001-004
4...20 mA	4...20 mA	0001-002
4...20 mA	0...10 V	0001-003
0...10 V	---	0001-007
0...10 V	4...20 mA	0001-005
0...10 V	0...10 V	0001-006

Specifications are subject to changes without notice.