

Trip amplifier for all physical quantities with digital display,  
4 switching outputs and 1 analog output.  
Accuracy 0.2% v. M. E.

## Features

8-digit 14-segment LCD display with bargraph and trend indication, microprocessor controlled, self monitoring, all parameters are configured by keypad, display unit selectable, adjustable keypad lock, high accuracy, quick scanning rate (1000/s)

## Display range

freely scalable: -9,999...+9,999

## Applications

OEM applications,  
Hydraulics and pneumatics,  
test bed and apparatus engineering,  
heavy industry



Index: C

## Technical Data

<b>Measuring principle:</b>	Amplifier with 12 bit A/D converter
<b>Materials:</b>	
Electronics housing:	Cast aluminum G AL SI 12
Housing seal:	CR
Keypad:	Polyester
<b>Operating elements:</b>	Keypad with easy-response pushbuttons
<b>System of protection:</b>	IP65
<b>Protection class:</b>	I
<b>Dimensions:</b>	100 x 135 x 80 mm (W x H x D)
<b>Weight:</b>	approx. 1080 g
<b>Analog measuring inputs:</b>	
Current input:	4...20 mA
Voltage input:	0...10 V DC
<b>Linearity error:</b>	<±0.2% v. f. s. at 25 °C
<b>A/D converter:</b>	
Resolution:	12 bit (4096 steps per measuring span)
Scanning rate:	1000/s
<b>On-status display:</b>	8-digit 17-segment LCD display, digit height 12 mm, green
Bargraph:	20-segment for current value
Trend arrows:	last changes
Display range:	-9999...+9999
Display rate:	4/s
Display unit:	all technical units
<b>Sensor connection:</b>	Plug 3-pin, DIN EN 175 301-803-A (prev. DIN 43650), incl. plug connector
<b>Electrical connection:</b>	14-pin screw terminal for 1.5 mm <sup>2</sup> AWG14, plug-in type

<b>Cable gland:</b>	
Standard:	1 x PG13.5 side entry
Option:	2 x PG13.5 top entry
<b>Temperature influence:</b>	<0.05% v. f. s./10K
<b>Compensation range:</b>	-10 °C...+70 °C
<b>Repeatability:</b>	≤ ±0.01% v. f. s.
<b>Temperature range:</b>	
Electronics:	-10 °C...+70 °C
Storage:	-30 °C...+80 °C
<b>Power supply:</b>	18...32 V DC, reversed polarity protected (SELV, PELV)
<b>Power consumption:</b>	approx. 350 mA at U <sub>b</sub> = 24 V DC (without load)
<b>Analog output:</b>	
Current output:	4...20 mA
Load:	max. R <sub>I</sub> = (U <sub>b</sub> -12 V)/20 mA R <sub>I</sub> = 600 Ohm at U <sub>b</sub> = 24 V DC
Load influence:	0.3% / 100 Ohm
Scanning rate:	1 ms
Voltage output:	0...10 V DC
Rating:	max. 10 mA
Adjustment range:	25%... 100% f. s.
<b>4x relay output(s) - change-over contacts (SPDT):</b>	
Switching voltage:	max. 120 V DC / 250 V AC
Switching power:	max. 120 W / 1250 VA
Cycles:	1 mio. at 24 V DC / 2 A
Switching rate:	max. 20/s
Delay:	0.0 s ... 9.9 s adjustable
Operation time:	1 ms
Status display:	S1...S4 on LCD display
<b>Accessories:</b>	Mounting traverse, vibration damper
<b>Approval:</b>	cULus: file no. E248549

Specifications are subject to changes without notice.

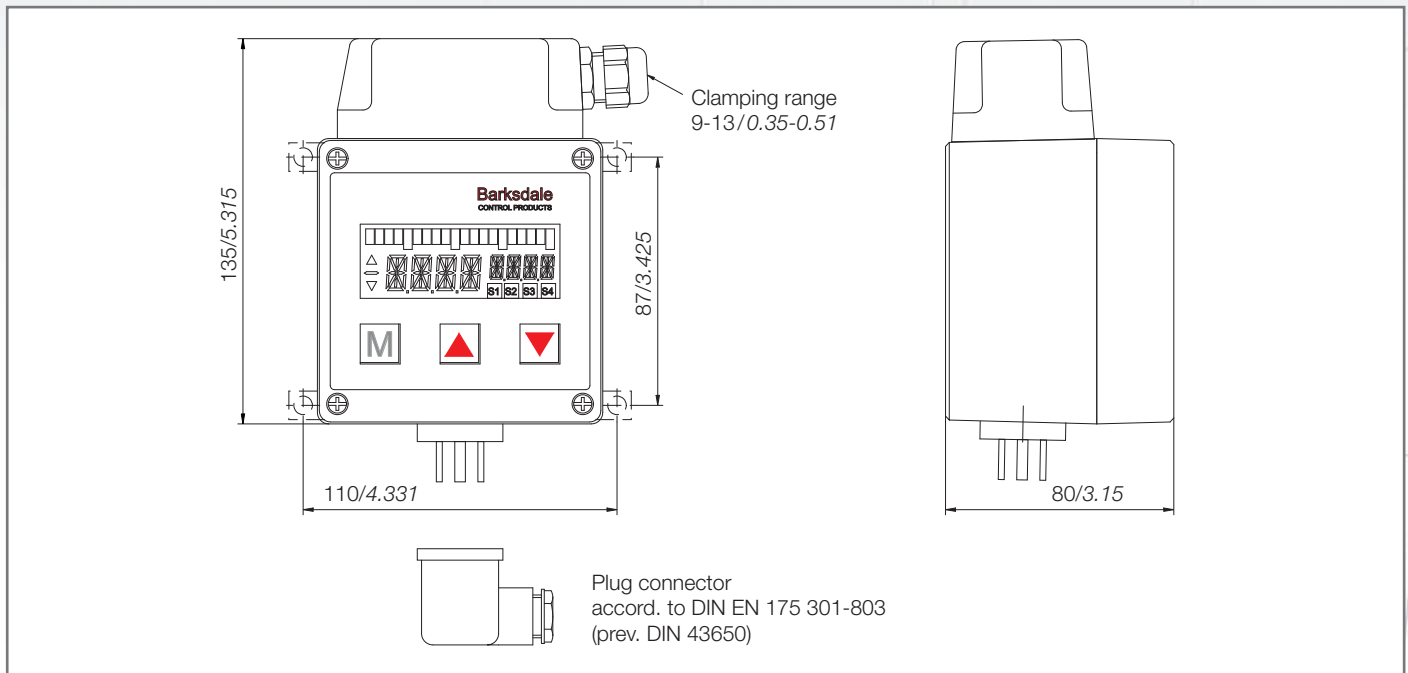
# Pressure

## Electronic Displays

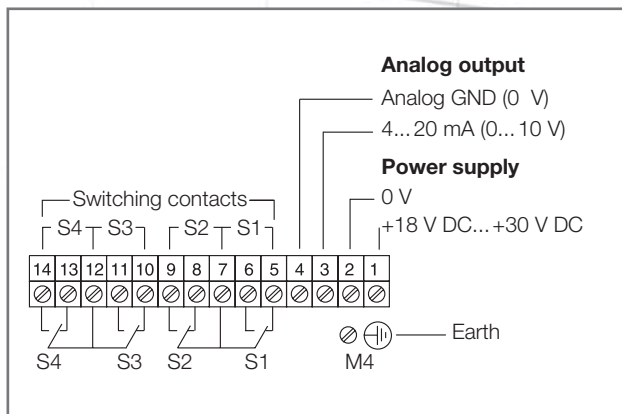
## Type UAS 3 - V3

### Dimensions (in mm / inch)

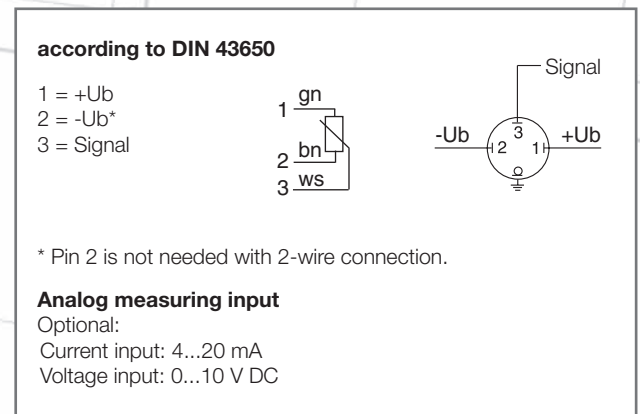
Index: C



### Electronic connection scheme



### Sensor Connection



### Order Numbers

Electronic trip amplifier with 4 relays, 1 input and multifunction display		
Analog Input	Analog Output	Order No.
4...20 mA	---	0003-026
4...20 mA	4...20 mA	0003-024
4...20 mA	0...10 V	0003-025
0...10 V	---	0003-032
0...10 V	4...20 mA	0003-030
0...10 V	0...10 V	0003-031

### Accessories

Order Number	Description
903-0681	Mounting traverse (1 set = 2 pcs)
914-0107	Vibration damper (1 pack = 4 pcs)

Specifications are subject to changes without notice.