

Electr. Dual Pressure Switch

Type Switch 2000

Electronic pressure switch for pressure control with internal stainless steel diaphragm, digital display, 2 solid state contacts or 1 solid state plus 1 analog output, linearity error 0.5 % f. s.

Features

7-segment LED display, microprocessor controlled, self monitoring with error display
All parameters are configured by keypad, adjustable keypad lock, rugged construction, vibration and shock-proof, long-term stability

Measuring ranges

0...1 bar to 0...600 bar gauge

Applications

OEM applications in hydraulic and pneumatic systems, press construction, lubricant monitoring, apparatus engineering, machine/machine tool industry, automobile industry, injection molding machines

Technical Data

Sensor element:	Piezoresistive silicon measuring cell					
Materials:	Wetted parts: Stainless steel, mat. no. 1.4301 Electronics housing: Aluminum die-cast Seals: FKM					
Operating elements:	3 easy-response pushbuttons					
System of protection:	IP65					
Protection class:	III					
Process connection:	G1/4 M					
Dimensions:	36 x 130 mm (without plug connector)					
Weight:	approx. 200 g					
Measuring ranges [bar]:	10	50	100	200	400	600
Proof pressure [bar]:	15	75	150	300	600	800
Linearity error:	$\pm 0.5\%$ v. f. s. at +25 °C					
A/D converter:	Resolution: 10 bit (1024 steps per measuring span) Scanning rate: 200/s					
Electrical connection:	Plug M12x1, 4-pin					
Temperature influence:	$\pm 0.2\%$ v. f. s. /10K					
Compensation range:	-10 °C... +70 °C					
Repeatability:	$\pm 0.1\%$ v. f. s.					
Temperature range:	Medium: -25 °C... +100 °C Electronics: -10 °C... +70 °C Storage: -30 °C... +80 °C					



Index: B

Power supply:	15...32 V DC, reversed polarity protected (SELV, PELV)
Digital display:	3-digit 7-segment LED display, red, digit height 10 mm Display range: -1 ... 999 Display rate: 20/s
Error display:	LED yellow and alphanumeric display
Power consumption:	approx. 50 mA (without load)
Analog output:	Current output: 4...20 mA Load: max. RI = (Ub-12 V)/20 mA RI = 600 Ohm at Ub = 24 V DC Load influence: 0.3 %/100 Ohm Scanning rate: 5 ms Voltage output: 0...10 V DC Rating: max. 10 mA Adjustment range: 25 %... 100 % f. s.
Transistor switching outputs PNP:	Switching function: Normally open/normally closed, standard / window mode and diagnosis function adjustable Adjustment range for switching point and hysteresis: 0 %... 125 % f. s. Switching frequency: max. 100 Hz max. 500 mA, short-circuit proof Delay: 0.0 s ... 9.9 s adjustable Status display(s): LED(s) green
Accessories:	Adapter for pressure switch adjustment, damping screw, plug connector
Approvals:	cULus: file no. E42816

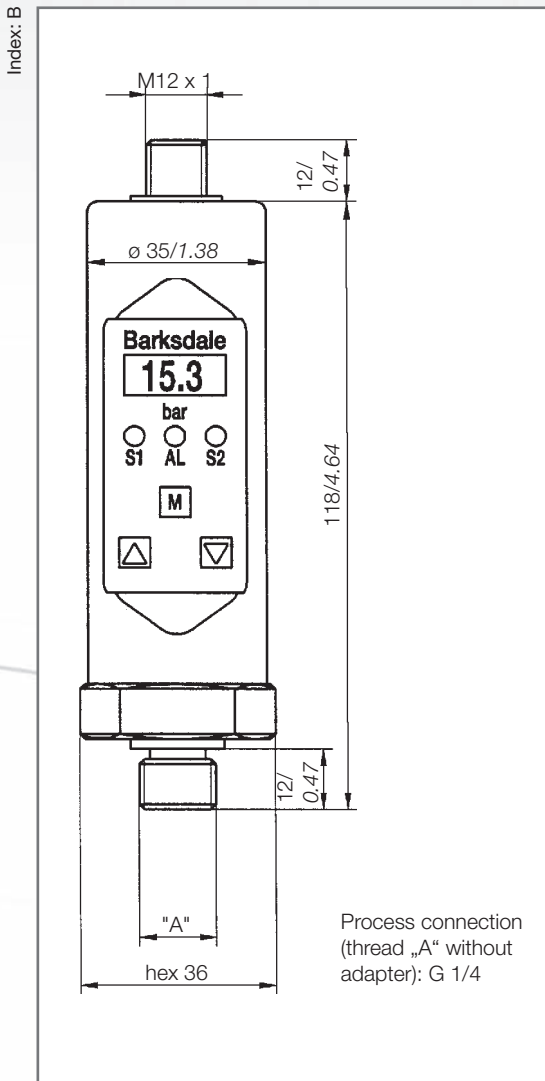
Specifications are subject to changes without notice.

Pressure

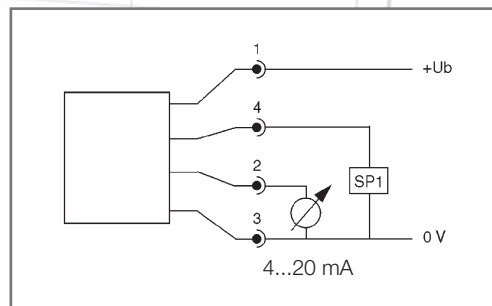
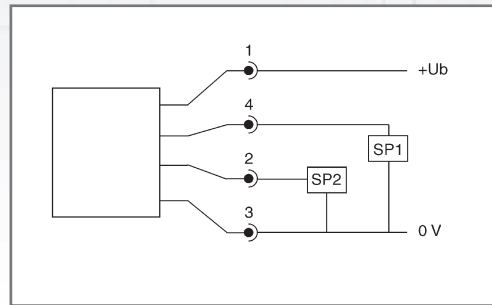
Electr. Dual Pressure Switch

Type Switch 2000

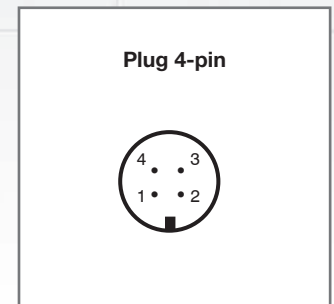
Dimensions (in mm / inch)



Connection diagram



Plug



Specifications are subject to changes without notice.

Order Numbers

Pressure range	0...10 bar	0...50 bar	0...100 bar	0...200 bar	0...400 bar	0...600 bar
2 switching outputs	0428-017	0428-018	0428-019	0428-020	0428-021	0428-022
1 switching output 1 analog output 4...20 mA	0428-127	0428-128	0428-129	0428-130	0428-131	0428-132

Further measuring ranges on request

Accessories

Order Number	Description
0499-016	Adapter G1/4 IG - G1/4 male thread for optimum alignment of pressure switch
901-0677	Damping screw with 0.2 mm restriction against quick pressure changes and high pulsation rate
907-0357	Plug connector M12 x 1, 4-pin, with screw terminals, angled
907-0344	Plug connector M12 x 1, 4-pin, with screw terminals, straight