

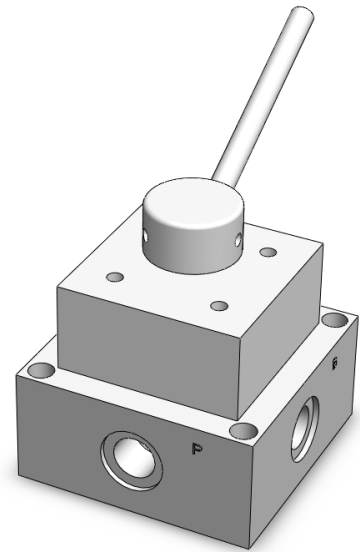
# Directional Control Valve

# Type MAV S2

manually operated Valve  
4/3, 4/2 & 2/2 way

## Features

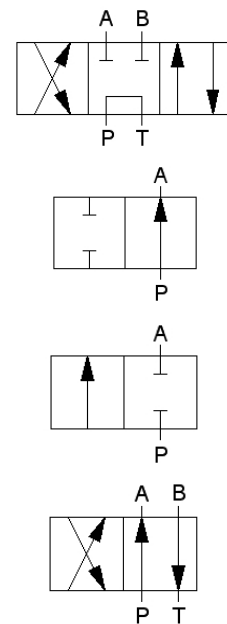
Shear Seal® technology,  
Zero leak design,  
Rugged design,  
Working media Hydraulic Oil,  
manually operated,  
Different medias possible on request



## Technical Data

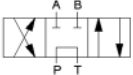
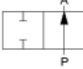
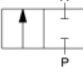

<b>Working Media:</b>	Hydraulic Oil
<b>Nominal Flow:</b>	40 l/min at 5 bar $\Delta p$
<b>Working Pressure:</b>	up to 420 bar (6,000 psi)
<b>Proof Pressure:</b>	1.5 times working pressure
<b>Burst Pressure:</b>	2.5 times working pressure
<b>Temperature Range:</b>	-25 °C...+70 °C
<b>Sealing Material:</b>	NBR
<b>Materials:</b>	Steel / Stainless Steel / Aluminium

## Symbols



Specifications are subject to changes without notice

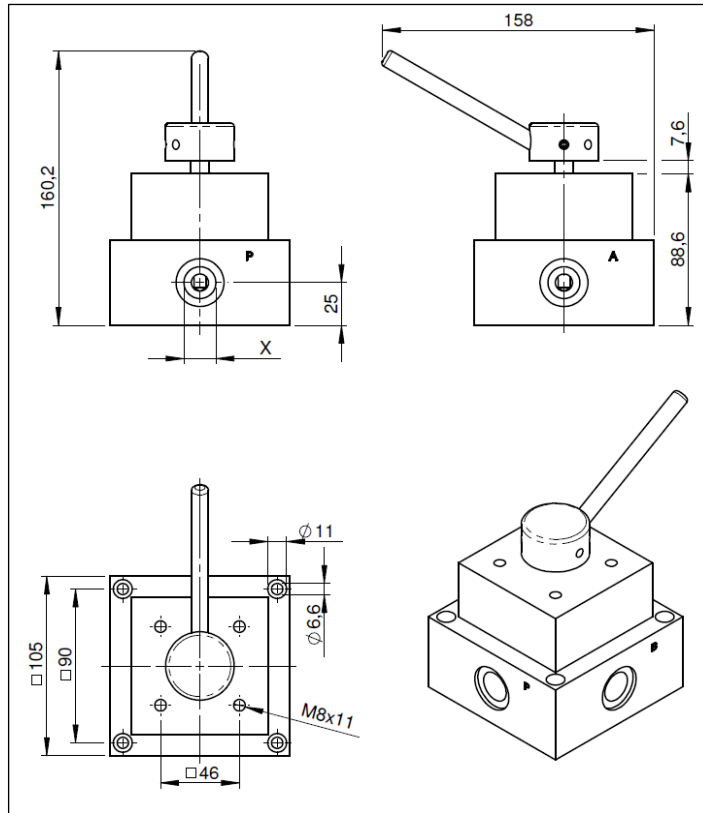
## Product Configurator

MAV	1	0	2	-A	B	1	SS
<p><b>material</b>                  without declaration = steel                  SS = stainless steel                  AL = aluminum</p>							
<p><b>max. operating pressure</b>                  1 = 210 bar (~3000 psi)                  2 = 315 bar (~4500 psi)                  3 = 420 bar (~6000 psi)</p>							
<p><b>port size</b>                  A = G1/4"                  B = G1/2"                  C = G3/4"                  D = G1"                  E = G3/8"                  F = 1/4" NPT                  G = 1/2" NPT</p>							
<p><b>hydraulic schematic</b></p> <p>A = </p> <hr/> <p>G = </p> <hr/> <p>H = </p> <hr/> <p>M = </p>							
<p><b>rotor size</b>                  2 = up to 40 L/min @ 5 bar Δ p</p>							
<p><b>number of ports</b>                  0 = 4 ports                  1 = 2 ports (shut-off)</p>							
<p><b>port arrangement</b>                  1 = ports sideways                  3 = ports downwards</p>							
<p><b>type of actuation</b>                  MAV = mechanical</p>							

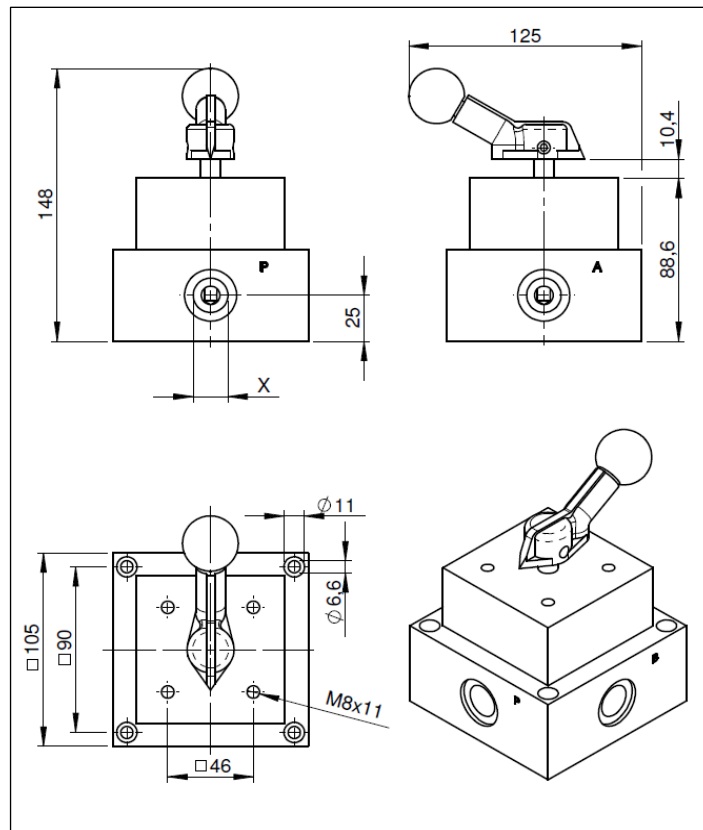
Specifications are subject to changes without notice

Dimensions (in mm)

Steel:



Aluminum:



Specifications are subject to changes without notice