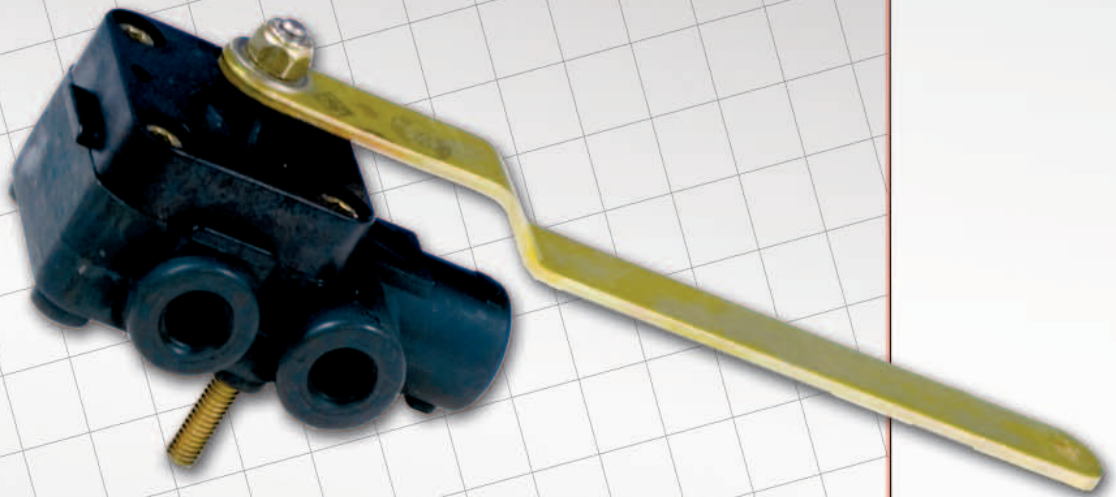


# 52341 Series

**Air Suspension Valve  
with Integral Dump**



- ▶ **Shear-Seal® Technology**
- ▶ **Accurate Ride Height**
- ▶ **Integral Dump**

**Barksdale**  
CONTROL PRODUCTS  
CRANE Barksdale, Inc./Barksdale GmbH  
A Subsidiary of Crane Co.

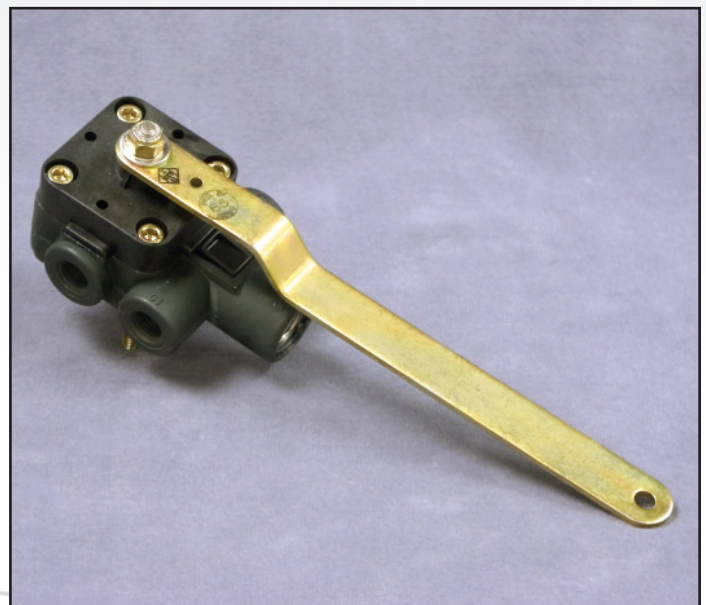
The 52341 Air Suspension Valve utilizes Barksdale's patented Shear-Seal® technology to accurately control suspension height in commercial and recreational vehicle applications. Shear-Seal® has become the industry leader through superior performance and long life, even under the most demanding conditions.

The integral dump feature in the Barksdale 52341 valve brings the ability to quickly exhaust the air bags into one compact package eliminating components and installation labor.

Barksdale height control valves feature proportional response and are available in both low flow and high flow configurations. These features combine to minimize air consumption without the use of inaccurate and failure prone time delay elements found in competing products.

### Features

- ▶ Shear-Seal® Technology provides superior performance and durability
- ▶ High Flow Integral Dump for simplified installation
- ▶ Proportional flow reduces vehicle air consumption
- ▶ Precise dead band optimizes ride height control
- ▶ Dual outlet ports with bag cross talk control limits side to side interaction
- ▶ Optional push-to-connect fittings ease installation
- ▶ Compact size and flexible design fits any application



### Applications

- ▶ Tractor
  - Single Valve Rear Suspension
  - Dual Valve Rear Suspension
- ▶ Trailer
  - Positive and Negative Dump
- ▶ Bus
- ▶ RV

Operating Media	Air
Seal Type	Shear-Seal®
Operating Pressure	130 PSI (9 bar) Maximum
Operating Temperature	-40°F to +150°F (-40°C to +65°C)
Flow Curve	Proportional response
Maximum Flow Rate	Low flow: 120 L/Min (4.2 cfm) Standard flow: 350 L/Min (4.2 cfm)
Port Size	Standard 1/4" NPT 1/4" Push in tube* 6mm Push in tube* 3/8" Push in tube* *DOT approved
Delivery Ports (Bag Ports)	Dual delivery ports
Mounting Studs	1/4-20 UNF
Linkage Mounting Hole	0.25" (6.3 mm) or 0.38" (9.5 mm)
Maximum Handle Movement	+/- 75° For fill or exhaust

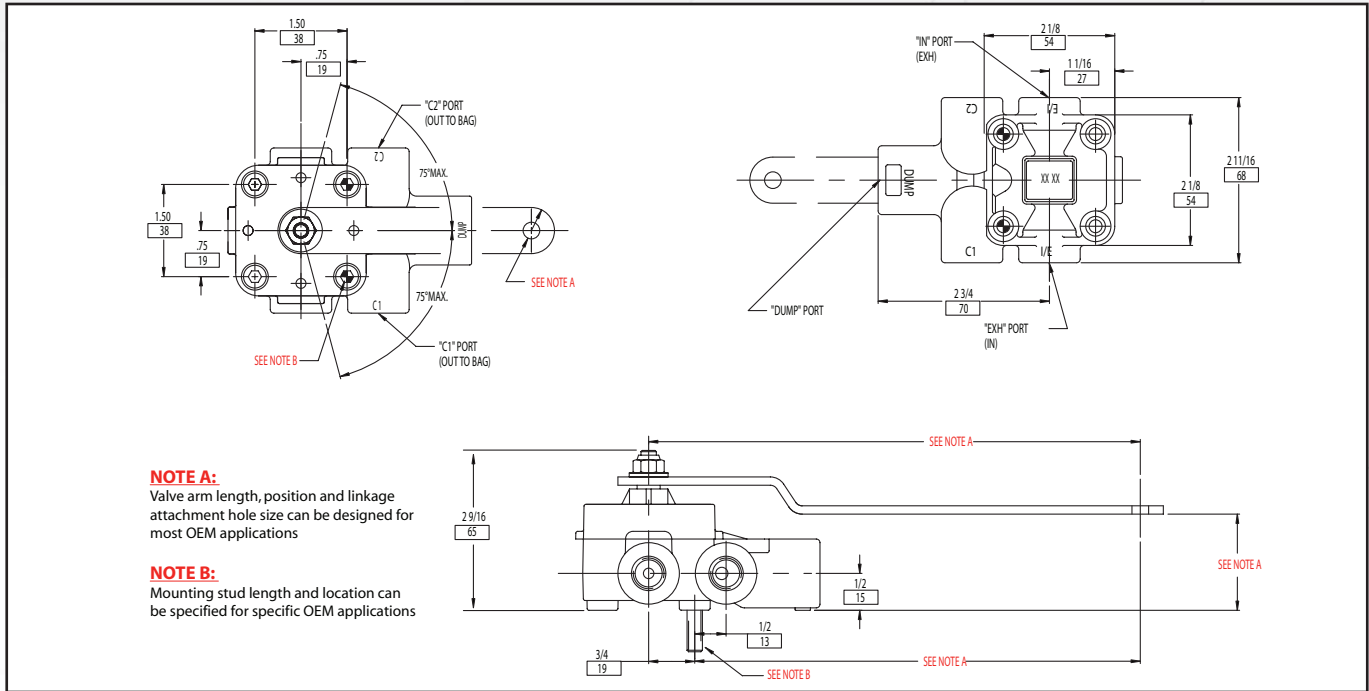
Dump Flow Rate	875 L/min (31 cfm)
Dump Port Activation	70 psi (4.8 bar) minimum
Dump Port Configuration	Normally open or normally closed

Materials Of Construction	<b>Body:</b> Anodize aluminum <b>Housing:</b> Engineered plastics <b>Arm:</b> Zinc plated steel <b>Internal Elements:</b> Stainless steel and hard anodized aluminum <b>Seals:</b> Buna-N
Weight (typical)	1.1 lb (500g)

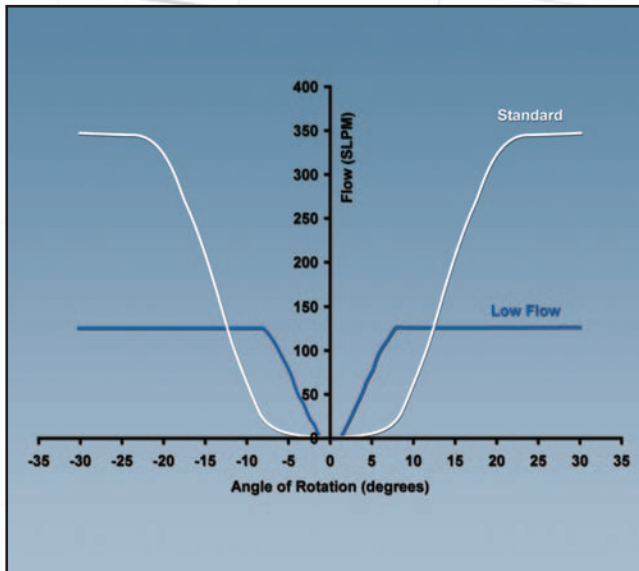
### Additional Options Available

- ▶ Arm length
- ▶ Port locations
- ▶ Arm orientation
- ▶ Mounting stud location
- ▶ Mounting stud length
- ▶ Air fittings
- ▶ Mounting brackets

## Technical Drawings



## Barksdale Valve Flow Curve



Barksdale's patented proportional air flow design optimizes air usage within the vehicle air suspension system. The Barksdale height control valve reacts instantly to large suspension movement, providing maximum rated flow to rapidly restore vehicle ride height. Smaller changes in ride height result in proportional reductions in the volume of air flow to or from the air springs. Air is conserved and ride height overshoot and undershoot are virtually eliminated.

Barksdale's precise and highly repeatable deadband results in exact control of vehicle and cab ride height. This maintains critical driveline geometry while yielding a smooth ride and ensuring years of reliable service.

## Engineered Solutions



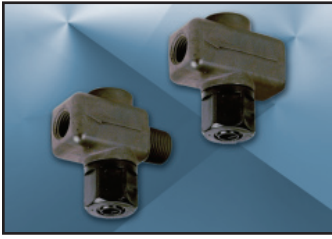
Barksdale specializes in engineered solutions that exceed customer expectations.

The Barksdale height control valve is highly adaptable, including customized:

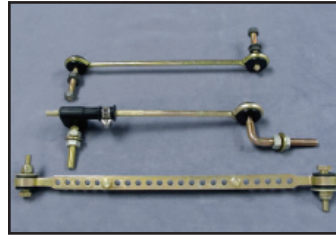
- ▶ Actuating arm length, offset, attachment points
- ▶ Mounting stud length, and location, and threads
- ▶ Threaded SAE & metric ports and push to connect fittings
- ▶ Ready to bolt on sub-assemblies with brackets, linkages and fasteners

Barksdale has a solution for every application. Let us find one for you.

## Accessory Components



Barksdale Pressure Protection Valves (PPV) optimize the safety of your installation. This critical valve from Barksdale comes with male inlet threads for direct connection into your air reservoir. It is factory calibrated for the exact operating pressure required.



Barksdale offers several linkage options for use with Barksdale Air Suspension valves. Available in both fixed length and adjustable length these linkages provide a reliable connection between the air suspension valve and the suspension.



## Global Presence

**Barksdale Inc.**  
3211 Fruitland Ave.  
Los Angeles, CA 90058-0843  
U.S.A.  
Phone: (866) 832-6278  
Fax: (323) 586-3067  
Email: [transportation@barksdale.com](mailto:transportation@barksdale.com)  
[www.barksdale.com](http://www.barksdale.com)

**Barksdale GmbH**  
Dorn-Assenheimer Strasse 27  
61203 Reichelsheim, Germany  
Phone: (49) 6035-949-0 (main office)  
(49) 6035-949-204 (sales)  
Fax: (49) 6035-949-111/-113  
Email: [info@barksdale.de](mailto:info@barksdale.de)  
[www.barksdale.de](http://www.barksdale.de)

**Barksdale**  
CONTROL PRODUCTS  
CRANE Barksdale, Inc./Barksdale GmbH  
A Subsidiary of Crane Co.