

Level

Bypass Level Indicators

Type BNA-K301/K401/K701
Type BNA-K302.0/K402.0/K702.0

The plastic bypass level indicator is available for measuring lengths up to 3000 mm in one piece (LM in split sections on request).

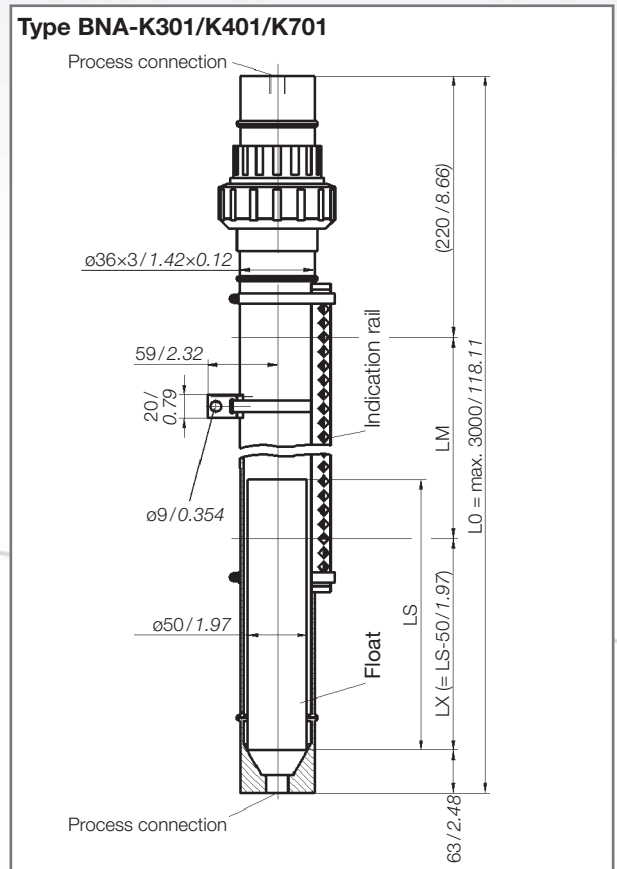
Applications

Tanks in which due to their construction internal measurement is impossible, e.g. ship building, sewage works.

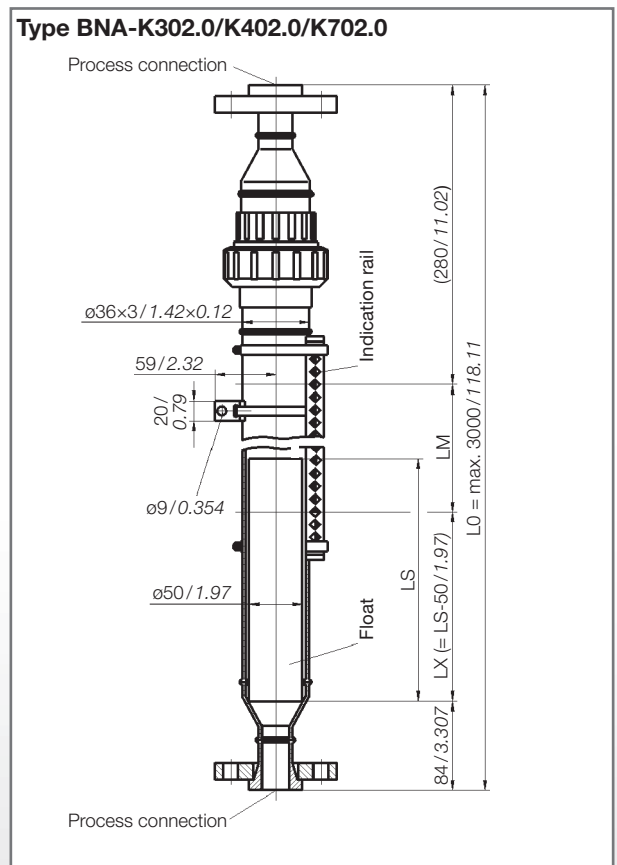
Technical Data

Bypass tube:	ø 63x3 mm
BNC type:	K301/K302.0 K401/K402.0 K701/702.0
Material:	PVC PVDF PP
Nom. pressure [bar]:	2.5 6.0 2.5
Max. temp. [°C]:	60 140 80
Float:	
Standard:	<p>PVC 50/10 min. density: 0.54 g/cm³</p> <p>PVDF 50/10 min. density: 0.66 g/cm³</p> <p>PP 50/10 min. density: 0.45 g/cm³</p>
Note:	The standard floats are relatively light. They are, however, weighted when manufactured. So they immerse into the medium and indicate the level correctly. Please indicate medium density in your order.
Proof pressure:	1.5 x operating pressure
Process connections:	
Standard:	Top and bottom connections: G½, G¾, G 1 or flanges DN 15 to DN 32 or ANSI ½", ¾", 1", 1 ¼"
Option:	Special threads, glued or welded joints on request
Indication rail:	
Standard:	Makrolon (polycarbonate) clear, with white/red indication flags
Accessories:	Limit switches, Transmitters, Electronic transmitters, Isolation, Tests/certificates

Dimensions (in mm/inch)



Index: B



Specifications are subject to changes without notice.

Type BNA-K301/K401/701/K302.0/K402.0/K702.0

Type:	Version:
BNA-K301	PVC with top and bottom threaded connection, Makrolon indication rail, bottom service port only
BNA-K302.0	PVC with top and bottom flange connection, Makrolon indication rail, bottom service port only
BNA-K401	PVDF with top and bottom threaded connection, Makrolon indication rail, bottom service port only
BNA-K402.0	PVDF with top and bottom flange connection, Makrolon indication rail, bottom service port only
BNA-K701	PP with top and bottom threaded connection, Makrolon indication rail, bottom service port only
BNA-K702.0	PP with top and bottom flange connection, Makrolon indication rail, bottom service port only

Side connections:

G 1/2"	Process connection
G 3/4"	Process connection
G 1"	Process connection
DN 15	Flange PN16/DIN 2633
DN 20	Flange PN16/DIN 2633
DN 25	Flange PN16/DIN 2633
DN 32	Flange PN16/DIN 2633
1/2"	Flange 150 lbs, ANSI B 16,5
3/4"	Flange 150 lbs, ANSI B 16,5
1"	Flange 150 lbs, ANSI B 16,5
1 1/4"	Flange 150 lbs, ANSI B 16,5

Indicator length [mm] (example):

2000/1	LM = 2000 mm/in one piece
3600/2	LM = 3600 mm/in two pieces

Float:

PVC 50/10	max. 2.5 bar/+60 °C, min. density: 0.54 g/cm ³
PP 50/10	max. 2.5 bar/+80 °C, min. density: 0.45 g/cm ³
PVDF 50/10	max. 6.0 bar/+140 °C, min. density: 0.66 g/cm ³

Note: Please specify the medium density in your order, so that we can calibrate the float accordingly.

Isolation:

PO	Poliolefine shrink tubing, weather and dust protection for indication rail
----	--

Limit switches:

The digit preceding the first letter indicates the desired quantity.

1GK03	1 limit switch GK03, temperature: -55 °C...+140 °C
-------	--

Remote indication:

XM	Remote indicator, potentiometer
XM <i>i</i>	As above, Ex i version
TX	with 4...20 mA
TX <i>i</i>	with 4...20 mA Ex i

Scale:

SK	Scale*
----	--------

Heating:

EL	Electric heating*
ELX	in EX d *

BNA-K701 - DN 25 - 2600/1 - PP 50/10 - PO - 2GK03 - XT*i* - SK - EL (Example)

* Detailed specification and description required.